

D-Sub M 2W2C STR MA 20A UNC NM30 BL

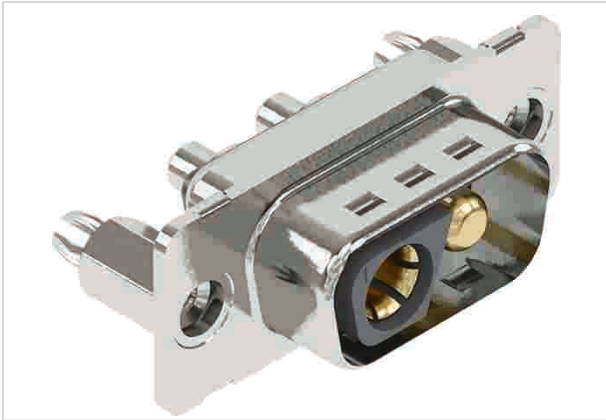


Image is for illustration purposes only. Please refer to product description.

Part number	09 69 100 9148
Specification	D-Sub M 2W2C STR MA 20A UNC NM30 BL
HARTING eCatalogue	https://b2b.harting.com/09691009148

Identification

Category	Connectors
Series	D-Sub
Identification	Mixed
Element	Connector
Description of the contact	Turned Straight

Version

Termination method	Wave soldering termination
Gender	Male
Size	D-Sub 1
Number of contacts	2
Number of signal contacts	0
Number of power contacts	2
Coding	With coding
PCB fixing	With board locks
Locking type	Fixing flange with thread 4-40 UNC

Technical characteristics

Flange height	7.5 mm
Rated current (power)	20 A
Insulation resistance	$>10^5 \Omega$
Contact resistance, power area	$\leq 1 \text{ m}\Omega$



Pushing Performance
Since 1945

Technical characteristics

Tightening torque	≤0.6 Nm Female screw lock
Limiting temperature	-55 ... +125 °C
Performance level	NM 30 (S4) 1
Mating cycles	≥500
Test voltage $U_{r.m.s.}$	1 kV
Isolation group	IIIa (175 ≤ CTI < 400)
PCB thickness	1.6 mm
Hot plugging	No

Material properties

Material (insert)	Thermoplastic resin, glass-fibre filled (PBT) Shell: steel, tin plated
Colour (insert)	Black
Material (contacts)	Copper alloy
Surface (contacts)	Gold plated Mating side Sn over Ni Termination side
Layer thickness	≥0.76 µm
Layer thickness	≥30 µinch
Material flammability class acc. to UL 94	V-0

Specifications and approvals

Specifications	DIN 41652-1 CECC 75301-802
UL / CSA	UL 1977 ECBT2.E102079

Commercial data

Packaging size	50
Net weight	9 g
Country of origin	Germany
European customs tariff number	85366990
GTIN	5713140217140
eCl@ss	27440214 D-Sub coupler